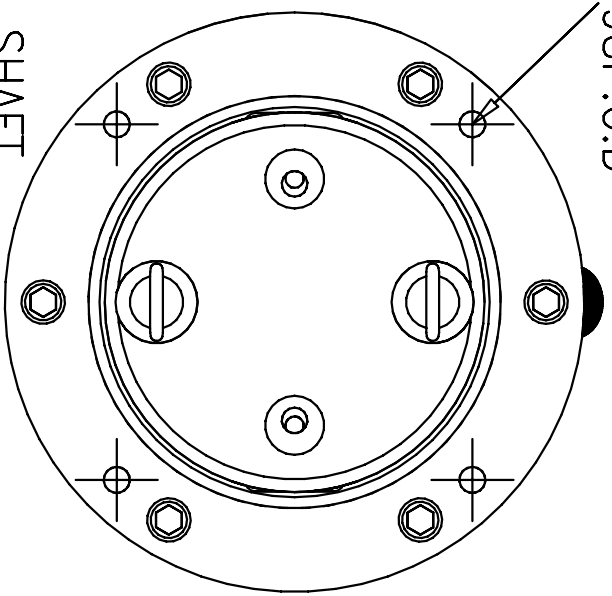


MOUNTING HOLES
 $\frac{1}{4}$ " BSW 98P.C.D



$\frac{3}{4}$ " TAPER SHAFT
 $\frac{3}{4}$ " x 316" WOODRUFF KEY